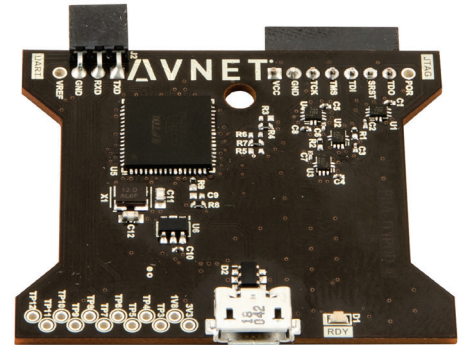
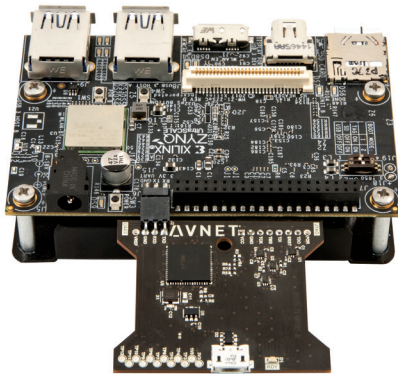


Ultra96 USB-to-JTAG/UART Pod

The Ultra96 USB-to-JTAG/UART Pod is an inexpensive and convenient way to add both USB-to-UART and Xilinx USB-to-JTAG capability. With a single microUSB connection to the host, this pod provides the transceivers to communicate with both the UART and JTAG headers on Ultra96. This then allows engineers to access a serial terminal and Xilinx JTAG tools for communication, debugging, and simulation.



FEATURES

- microUSB high-speed USB 2.0 connection
- Female UART header compatible with the Ultra96 UART male header
- Female JTAG header compatible with the Ultra96 JTAG male header

To purchase this kit, visit <http://avnet.me/ultra96jtag>

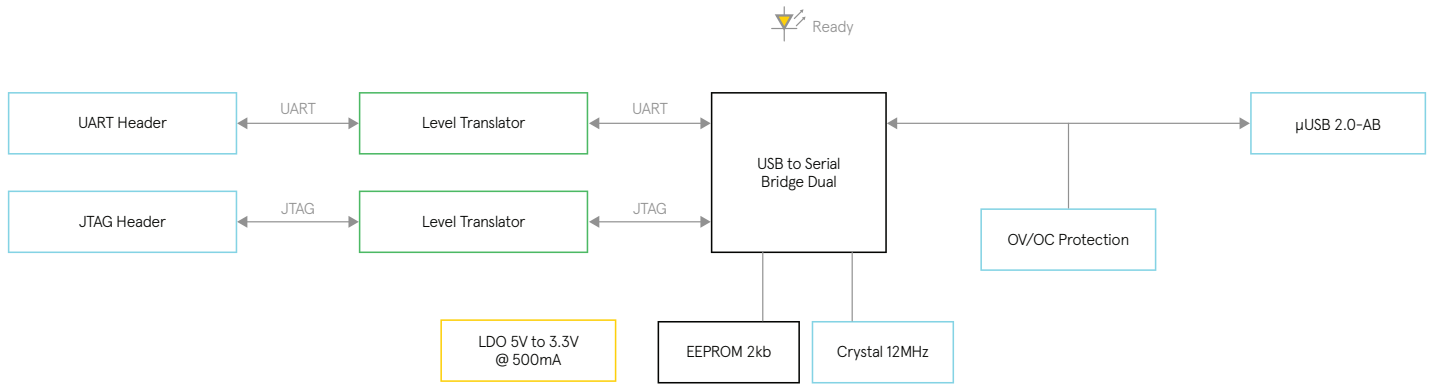
KIT INCLUDES

- Ultra96 USB-to-JTAG/UART Pod
- Quick Start Instructions

TARGET APPLICATIONS

- Serial communication via host terminal
- Xilinx JTAG tools

BLOCK DIAGRAM



PARTS

Part Number	Description	Resale
AES-ACC-U96-JTAG	Ultra96 USB-to-JTAG/UART Pod	\$39.00

RELATED PARTS

Part Number	Description	Resale
AES-ULTRA96-G	Ultra96	\$249.00

Countries Available for Purchase: Americas, EMEA, Asia, Japan

CONTACT INFORMATION

North America
 2211 S 47th Street
 Phoenix, Arizona 85034
 United States of America
 eval.kits@avnet.com
 1-800-585-1602

Europe (Silica)
 Gruber Str. 60c
 85586 Poing
 Germany
 marketing@silica.com
 +49-8121-77702

Europe (EBV)
 Im Technologypark 2-8
 85586 Poing
 Germany
 http://ebv.com/contact

Japan
 Yebisu Garden Place Tower, 23F
 4-20-3 Ebisu, Shibuya-ku
 Tokyo 150-6023 Japan
 eval-kits-jp@avnet.com
 +81-(0)3-5792-8210

Asia
 151 Lorong Chuan
 #06-03 New Tech Park
 Singapore 556741
 XilinxAPAC@avnet.com
 +65-6580-6000